

DETAILS:

Product ID: HMI8X8 (CHG-8BTB)
Description: C-Pull - 8" Back-to-Back

HMI
4795 Shepherdsville Road
Louisville, KY 40218
Tel: 502-969-4059
Fax: 800-313-4195
hmiglass.com

SPECIFICATIONS:

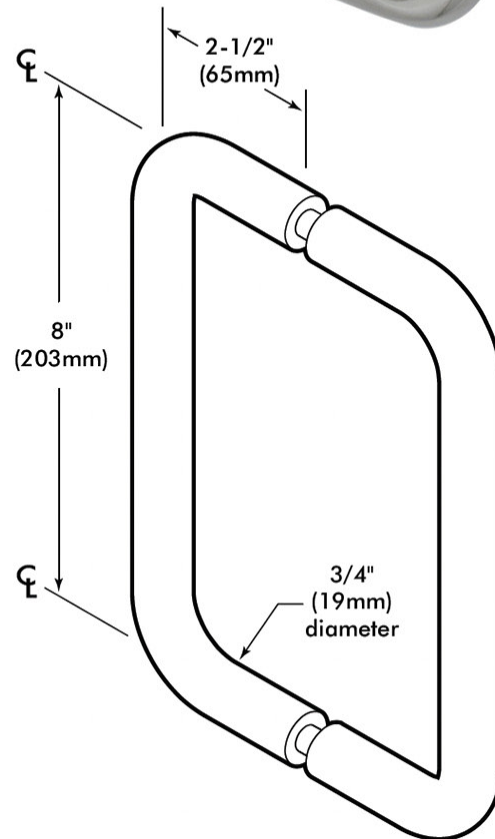
Glass Thickness: 1/4" (6mm) to 1/2" (12mm)
Material: Tubular brass
Holes: Requires 1/2" holes at 8" center
Includes: Stainless steel installation hardware, gaskets & Allen wrench

AVAILABLE FINISHES:

- CH - Chrome
- DA - Dark Anodized Oil Rubbed Bronze
- GO - Gold (brass)
- MB - Matte Black
- CB - Champagne Bronze
- NI - Brushed Nickel
- PN - Polished Nickel
- RO - Roman Bronze
- OB - Oil Rubbed Bronze (painted)

NOTES:

- For use only with tempered 1/4" to 1/2" glass
- Never use abrasive cleaners on the finish as they may damage the finish.



DRAWINGS NOT TO SCALE